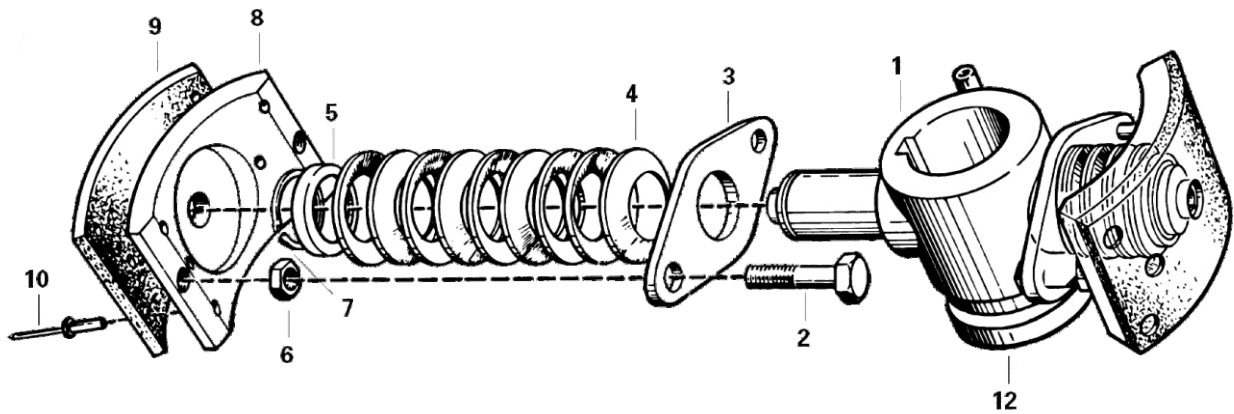


6. Compl. Nave



No.	Description	Designation	Ref. Part No.	QTY
1 –12	Compl. nave (Single)	478175	9001014000	1
1 –11	Compl. nave (Double)		9001012000	1
1 –10	Compl. nave		*	1
1	Nave		0345484000	1
2	Screw		0444555000	4
3	Spring yoke		0471062000	2
4	Cup spring	413835	3000255202	18
5	Support ring		0477473000	2
6	Nut	M6M 8-8.-fz	3000081118	4
7	Circlip	A 28x1,5K	3000730128	2
8 –10	Compl. centrifugal weight		9001001000	2
8	Centrifugal weight		9001002000	2
9	Brake lining		0471095000	2
10	Blind rivet	Alu-F-6x16	3000506904	12
11				
12	Oil draining ring		0471094000	1

Centrifugalbroms typ
Centrifugal brake type
Zentrifugalbremse typ

*
Pos./Item
1 – 11

*
Pos./Item
1 – 12

Enkel / Single / Einfache
Dubbel/Double/Doppel

–
9001012000

9001014000
–